

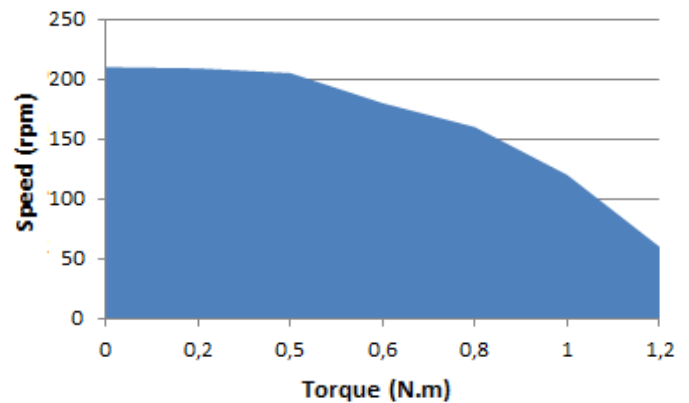
MOTEUR WLG-75-R

Preliminary data subject to change without notice

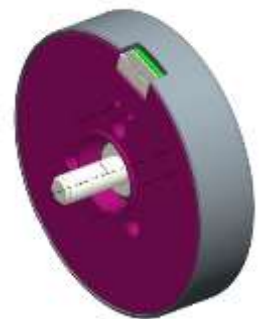
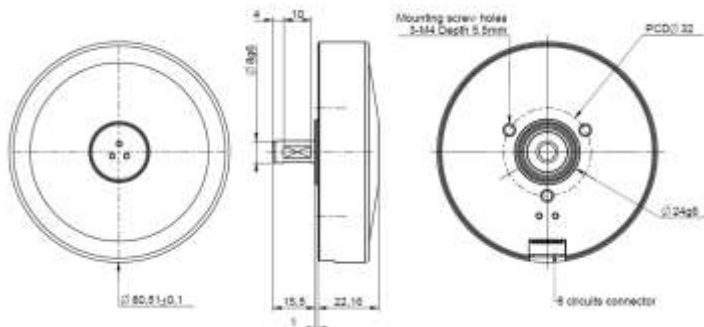
TECHNICAL SPECIFICATIONS

Piezoelectric Motor WLG-75-R	
Output Diameter (mm, in) :	80 (3.15)
Height (mm,in) :	22 (0.87)
Motor weight (mechanical part) (g) :	260
Max speed (rpm) :	200
Rated speed (rpm) :	150
Holding torque (N.m) :	1.6
Max torque (N.m)	1.2
Rated torque (N.m) :	0.75
Output power (W) :	12
Mechanical response time (ms) :	1
Direction change time (ms)(CW/CCW) :	1
Angular accuracy (°) :	0.06
Torque resolution (mN.m) :	1
PCB dimensions (mm) : (evaluation kit)	75 x 75 x 30
Power Supply (V) :	12
Max current (A) :	6
For intermittent use only	

Characteristic Curve T-S



DRAWINGS (mm)



CAD format (.STP or .IGS) upon request.

DRIVER (SUPPLY & CONTROL)



Driver for evaluation kit WLG-75-R

CONTROL : TTL and ANALOG

- ON/OFF : TTL (0 V : OFF / 5 V : ON)
- DIRECTION : TTL (0 V : CW / 5 V : CCW)
- SPEED CONTROL: ANALOG (0 to 5 V : 5 RPM to Rated Speed)

ENCODER : Incremental: 5 400 increments/revolution :

- IND Z: TTL (INDEX position 0 of the increments)
- INCR A: TTL Quadrature (angular position in function of INDEX)
- INCR B: TTL Quadrature (angular position in function of INDEX)
- GND is linked with the mass



Order



TEKCELEO

We Accelerate Innovation

www.tekceleo.com

Tel : +33 4 92 28 05 16 – contact@tekceleo.fr
1180, route des Dolines – Athéna B – 06560 Valbonne-France